

GUARD REF	OPENING TO BE PROTECTED	GUARD			
		INTERNAL MEASUREMENT	EXTERNAL MEASUREMENT	HEIGHT	DEPTH
A	915mm	930mm	1030mm	910mm	225mm
B	1020mm	1095mm	1195mm	910mm	225mm
C	1220mm	1240mm	1345mm	910mm	230mm
AA	915mm	930mm	1030mm	615mm	225mm
BB	1020mm	1095mm	1195mm	615mm	225mm
CC	1220mm	1240mm	1345mm	615mm	230mm

SUITABLE FOR INTERNAL AND EXTERNAL OPENINGS

MATERIAL GUARD

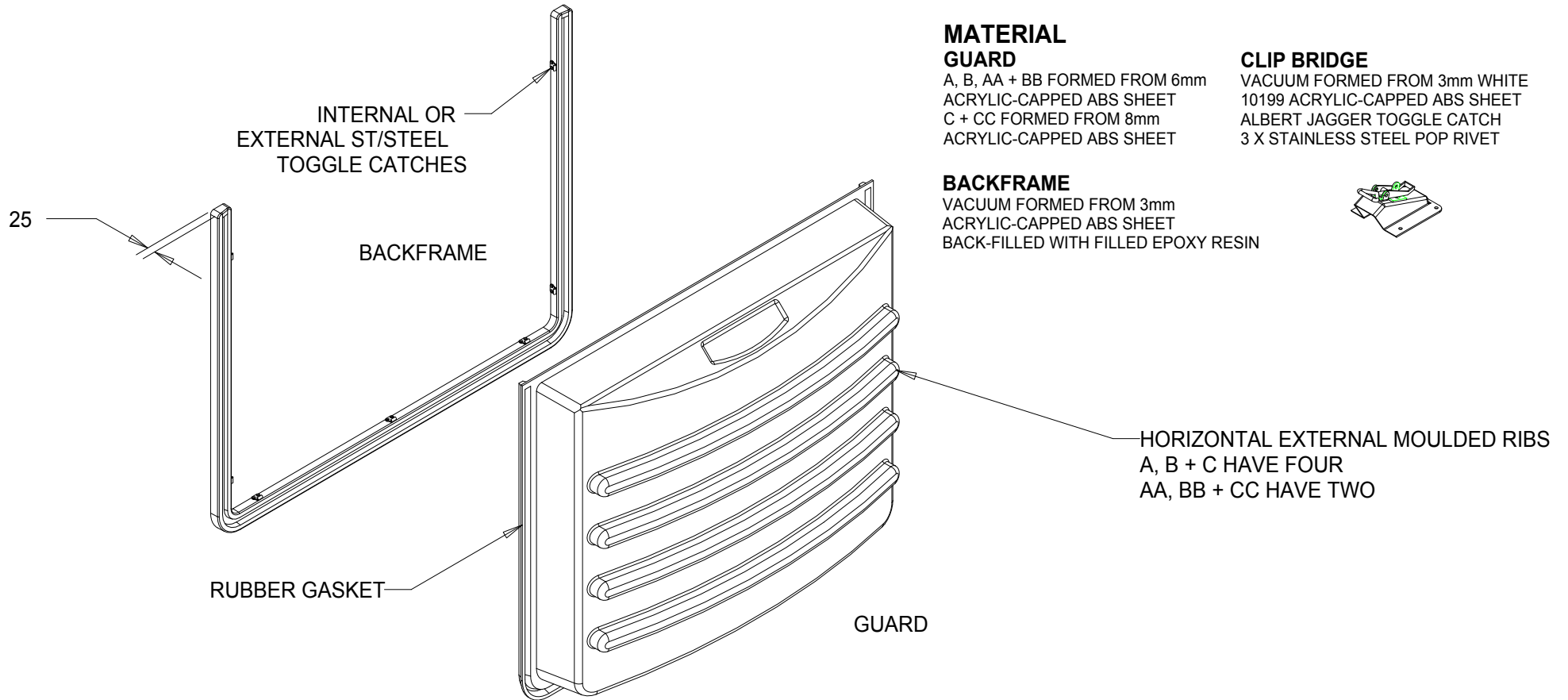
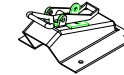
A, B, AA + BB FORMED FROM 6mm
ACRYLIC-CAPPED ABS SHEET
C + CC FORMED FROM 8mm
ACRYLIC-CAPPED ABS SHEET

CLIP BRIDGE

VACUUM FORMED FROM 3mm WHITE
10199 ACRYLIC-CAPPED ABS SHEET
ALBERT JAGGER TOGGLE CATCH
3 X STAINLESS STEEL POP RIVET

BACKFRAME

VACUUM FORMED FROM 3mm
ACRYLIC-CAPPED ABS SHEET
BACK-FILLED WITH FILLED EPOXY RESIN



FLOODGUARDS INTERNATIONAL LTD
BRUNNINGHAMS FARM
HEATH RIDE
WOKINGHAM, BERKSHIRE, UK
RG40 3QJ
TEL: +44 (0) 1189 733 535
FAX: +44 (0) 1189 733 596

ISO9001:2000 CERT. No. A10322
FREEPHONE 0800 0850 846
e-mail: sales@floodguards.com
www.floodguards.com



Client

Job Title

Scale

Drawn by PCK

Date 17/02/04

Drawing Title

ABS FLOOD GUARD

Drg No.

02/2010

Rev

1