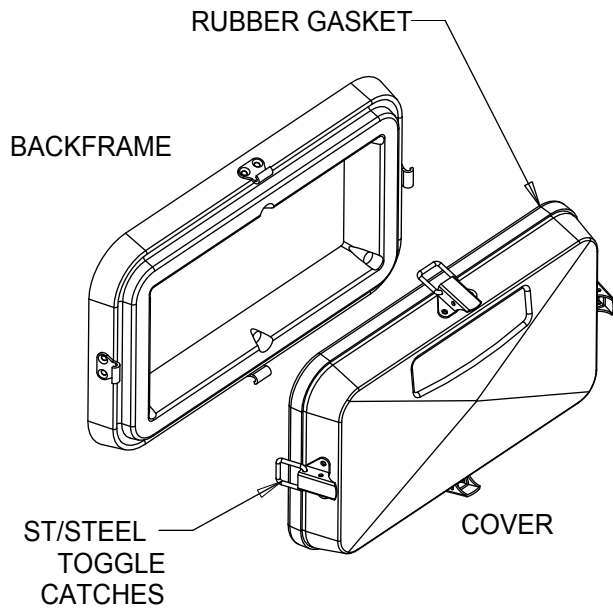
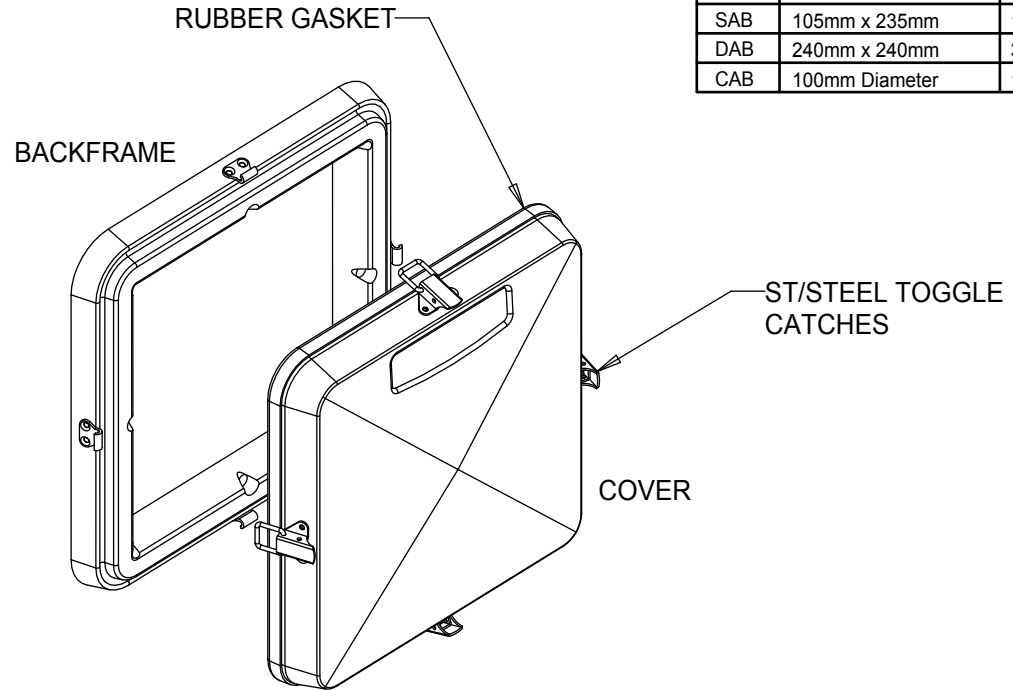


SAB

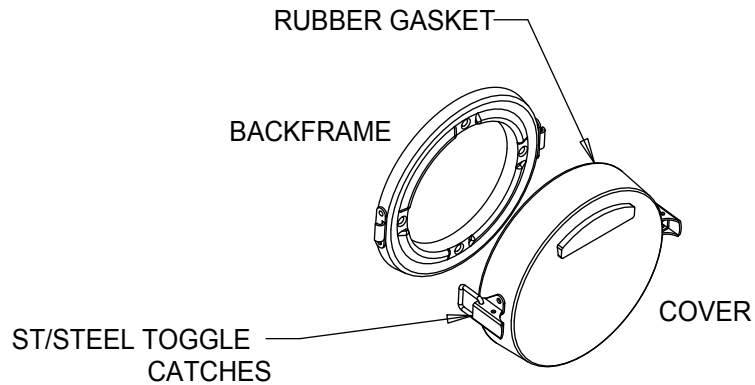


DAB



GUARD REF	INTERNAL MEASUREMENT	EXTERNAL MEASUREMENT
SAB	105mm x 235mm	180mm x 315mm
DAB	240mm x 240mm	315mm x 315mm
CAB	100mm Diameter	160mm Diameter

CAB



MATERIAL

SAB + DAB

BACKFRAME FORMED FROM 3mm
 ACRYLIC-CAPPED ABS SHEET
 BACKFRAME BACK-FILLED WITH EPOXY RESIN
 COVER FORMED FROM 4mm
 ACRYLIC-CAPPED ABS SHEET

CAB

G.R.P. LAYUP
 GELCOAT
 TWO LAYERS 450g/m² CSM
 GENERAL PURPOSE RESIN
 BACKFRAME BACK-FILLED WITH POLYESTER RESIN

FLOODGUARDS INTERNATIONAL LTD
 BRUNNINGHAMS FARM
 HEATH RIDE
 WOKINGHAM, BERKSHIRE, UK
 RG40 3QJ
 TEL: +44 (0) 1189 733 535
 FAX: +44 (0) 1189 733 596

ISO9001:2000 CERT. No. A10322
 FREEPHONE 0800 0850 846
 e-mail: sales@floodguards.com
 www.floodguards.com



Client

Job Title

Scale

Drawn by PCK

Date 17/2/04

Drawing Title

AIR BRICK COVERS

Drg No.

02/2008 1/2

Rev

1