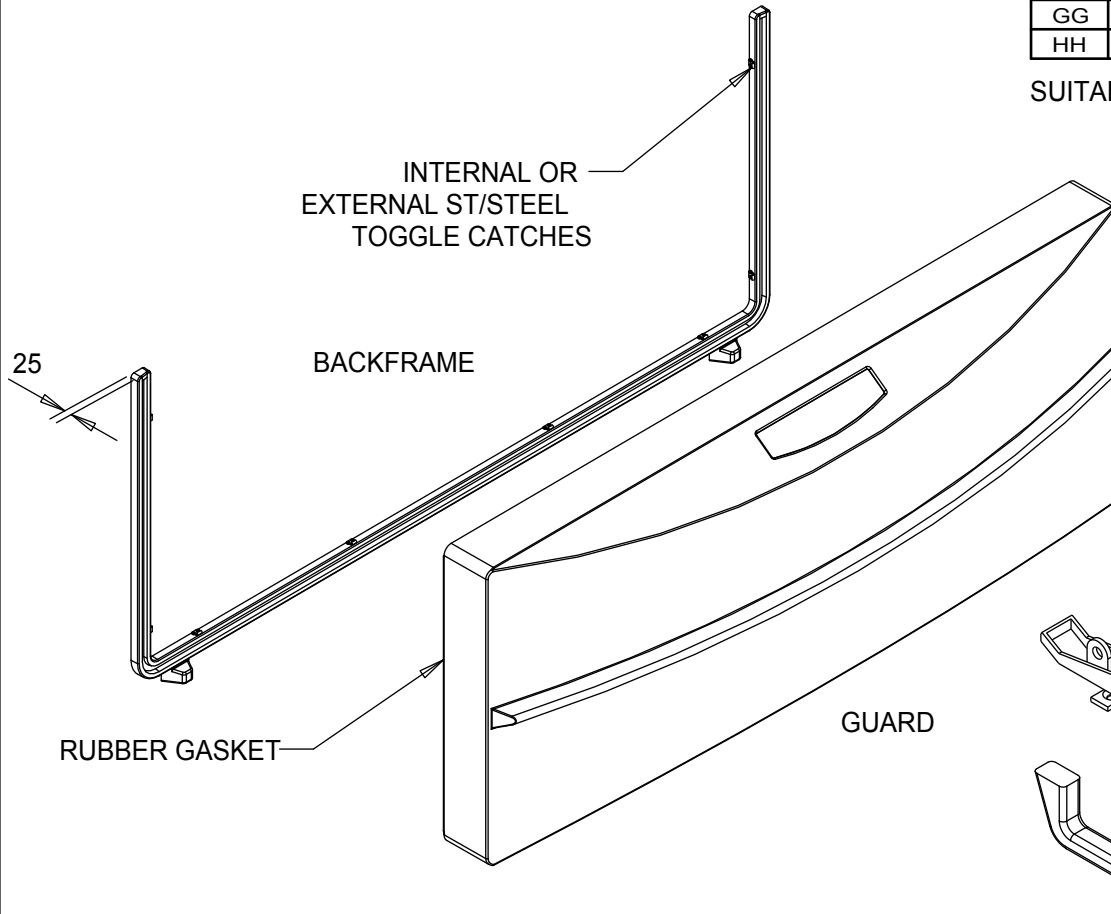


GUARD REF	OPENING TO BE PROTECTED	GUARD			
		INTERNAL MEASUREMENT	EXTERNAL MEASUREMENT	HEIGHT	DEPTH
D	1525mm	1550mm	1645mm	910mm	260mm
E	1830mm	1855mm	1955mm	910mm	310mm
F	2135mm	2150mm	2250mm	910mm	355mm
G	2440mm	2460mm	2555mm	910mm	380mm
H	2745mm	2765mm	2865mm	910mm	380mm
DD	1525mm	1550mm	1645mm	615mm	260mm
EE	1830mm	1855mm	1955mm	615mm	310mm
FF	2135mm	2150mm	2250mm	615mm	355mm
GG	2440mm	2460mm	2555mm	615mm	380mm
HH	2745mm	2765mm	2865mm	615mm	380mm

SUITABLE FOR INTERNAL AND EXTERNAL OPENINGS



MATERIAL
GUARD + BACKFRAME

G.R.P. LAYUP
GELCOAT
3 LAYERS 450g/m² CSM
1 EXTRA LAYER 450g/m² CSM TO FLANGES
GEL FLOWCOAT

INTERNAL REINFORCEMENT RIBS

F: 2135 OPENING 3-OFF
G: 2440 OPENING 4-OFF
H: 2745 OPENING 5-OFF
BACKFRAMES ARE BACK-FILLED WITH POLYESTER RESIN

CLIP
ALBERT JAGGER TOGGLE CATCH
3 X STAINLESS STEEL POP RIVET

HANDLES
2 HANDLES ARE ATTACHED TO GUARD SIZES D-H

FLOODGUARDS INTERNATIONAL LTD
BRUNNINGHAMS FARM
HEATH RIDE
WOKINGHAM, BERKSHIRE, UK
RG40 3QJ
TEL: +44 (0) 1189 733 535
FAX: +44 (0) 1189 733 596

ISO 9001:2000 CERT. No. A10322
FREEPHONE 0800 0850 846
e-mail: sales@floodguards.com
www.floodguards.com



Client

Job Title

Scale

Drawn by PCK
Date 17/02/04

Drawing Title

G.R.P. FLOOD GUARD

Drg No.

02/2009

Rev

1